

2023



## ULTRANIX LS Series

Safes with a 40 Year reputation

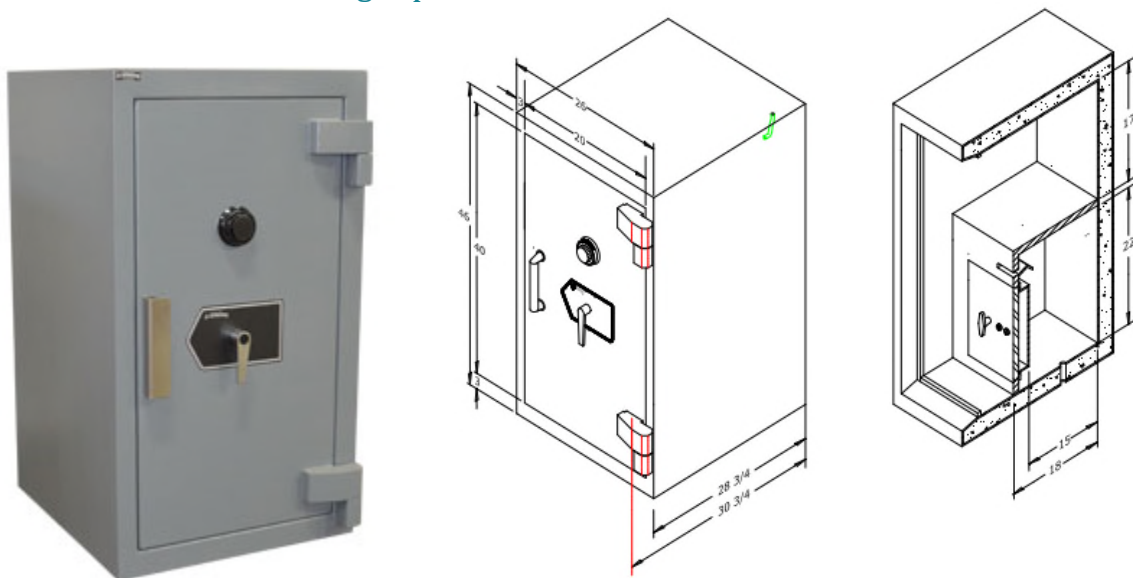
Made in Canada

**LOCKHART'S SECURITY**

1(506) 856-5016

# LS-DL Fire and theft safes

You have a maximum weight problem or a restricted area let me know!



## Fire and theft safe model LS-DL

### General information

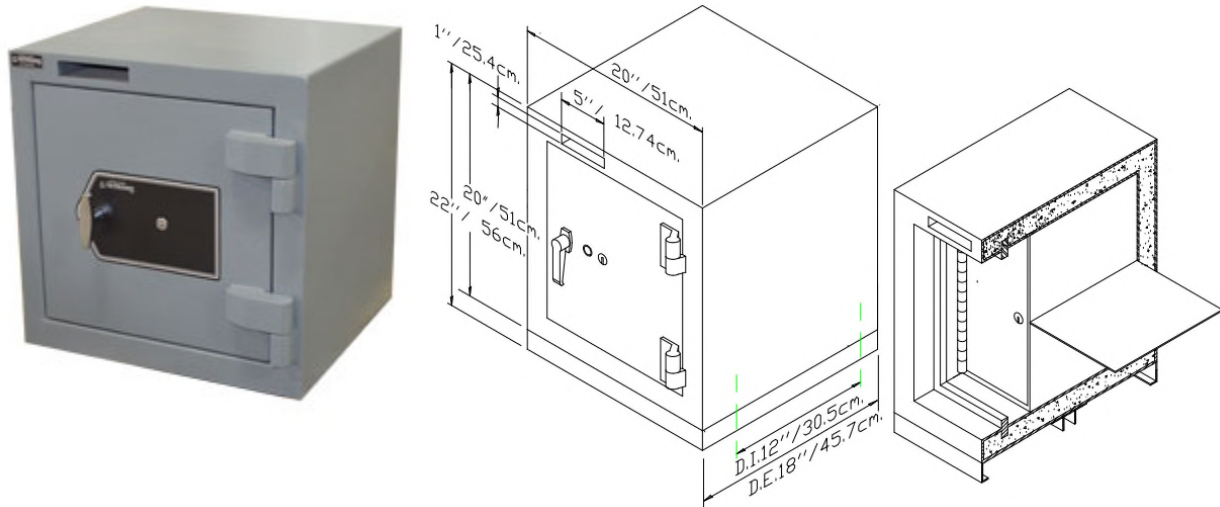
- Allows a level of protection against fire and burglary class 3.
- Fire: insulated to withstand 927°C, 1700°F for 1 hour.
- Construction: Steel envelope, exterior and interior: 1/4", 0.64 cm thick. Armor cement (Interior of envelope): 3" / 7.6 cm thick.
- One (1) alarm hole in back unit.
- Lock system is two (2) bolt works 1 1/2" / 3.81 cm: mobile system (2 bolts) on side of lock, fixed system on other side of door.
- One (1) mounting hole on bottom of unit.
- Water resistant paint.
- Color: dark gray.
- Independent relocking system with glass plate.
- Exterior heavy-duty hinges.

### Interior safe

- Steel thickness of 1", 2.54cm.
- Door equips with a double control Medeco key.
- Deposit slot on interior compartment

### Optional locks

- Digital delay combination lock Millennium
- Digital safe logic basic Securam



## Fire and theft safe model LS271

### General information

- Type of construction: Body and door class 2 (2" / 2.5cm). Composition: steel and concrete.
- Weight: 600 lbs / 275 kg.
- Lock system is two (2) Bolt works 1" / 2.54 cm. diameters with an automatic locking system.
- Two (2) mounting holes on bottom of unit with 2", 5.08 cm. stand, that include Four (4) mounting holes to fix on floor.
- Water resistant paint.
- Color: beige.
- Interior door is equipped with a dead-bolt lock with Medeco keys.
- Two (2) exterior hinges 1" / 2.5 cm. appear outside the door.

### Options

- Removable handle to push deposit and stop smoke in case of fire.

### Optional locks

- #271-Comb: Mechanical combination lock S&G
- 271- Ulix : Digital delay combination lock Millennium
- Digital safe logic basic Securam

“One of the Most Popular Security Containers on the market”



## Fire and theft safe model LS551 to LS556

### General information

- Allows a level of protection against fire and burglary according to the classification.
- Fire: insulated to withstand 927°C, 1700°F for 1 hour.
- Construction: Steel envelope, exterior and interior: 1/8", 0.32 cm thick. Armor cement (Interior of envelope): 2", 2.54cm thick.
- One (1) alarm hole in back unit.
- Two (2) mounting holes on bottom of unit with 2", 5.08 cm. stand, that include Four (4) mounting holes to fix on floor (except model #51)
- Water resistant paint.
- Color: dark gray.
- Independent relocking system with glass plate.
- Exterior heavy-duty hinges.

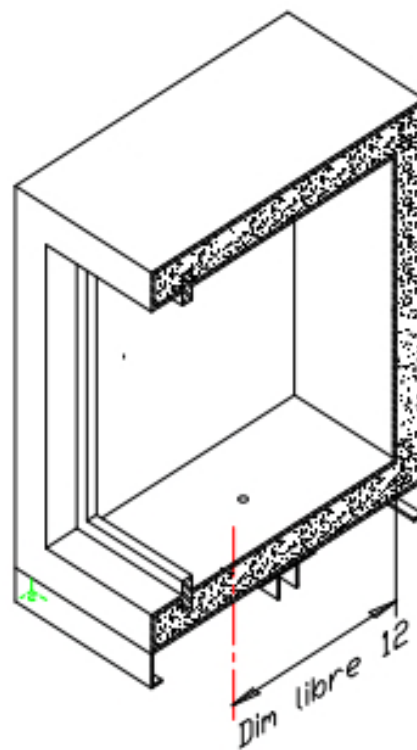
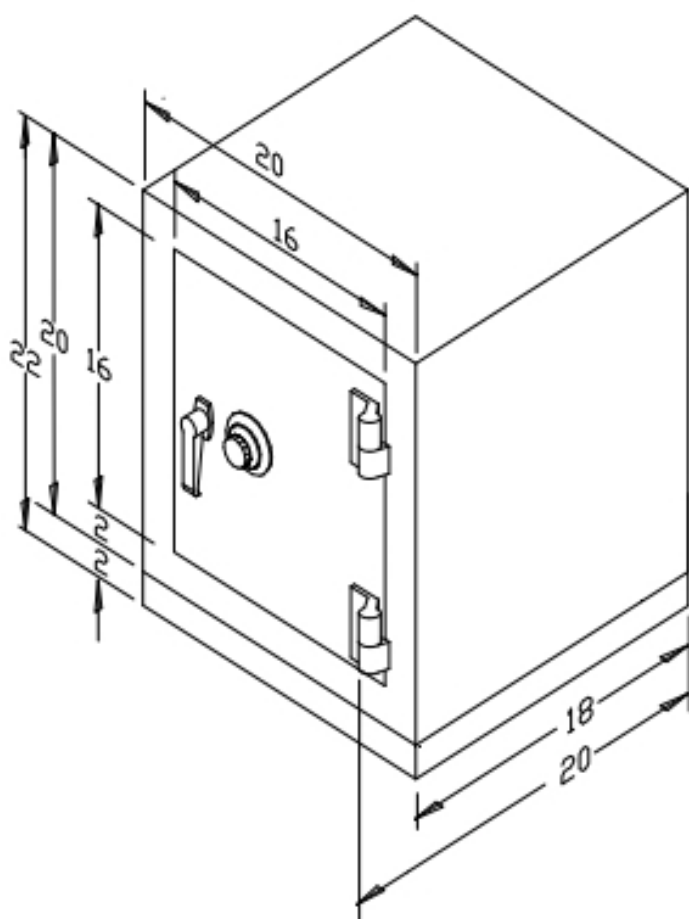
### Options

- Deposit slot reduces protection against burglary .
- Removable handle to push deposit.

### Optional locks

- Mechanical opening delay lock with Medeco key
- Digital safe basic Securam

MODÈLE	Dimensions extérieures (po, cm)			Dimensions intérieures (po, cm)			Nombre Boltwork	Poids lbs/kg	Tablette
	n°	H	L	P	H	L			
551	14 - 36	14 - 36	16 1/2 - 42	10 - 25	10 - 25	10 - 25	2	245/112	0
552	20 - 51	20 - 51	18 - 46	16 - 41	16, 41	11 1/2 - 29	2	469/225	1
553	29 - 74	21 1/2 - 55	21 1/2 - 55	25 - 64	17 1/2 - 29	15 - 38	4	715/325	1
554	39 - 99	26 1/2 - 67	26 1/2 - 67	35 - 89	22 1/2 - 57	20 - 51	4	1075/490	2
555	50 - 127	26 1/2 - 67	26 1/2 - 67	46 - 117	22 1/2 - 57	20 - 51	5	1320/600	3
556	60 - 152	26 1/2 - 67	26 1/2 - 67	56 - 142	22 1/2 - 57	20 - 51	5	1550/705	4





## Fire and theft safe model LS563 to LS566

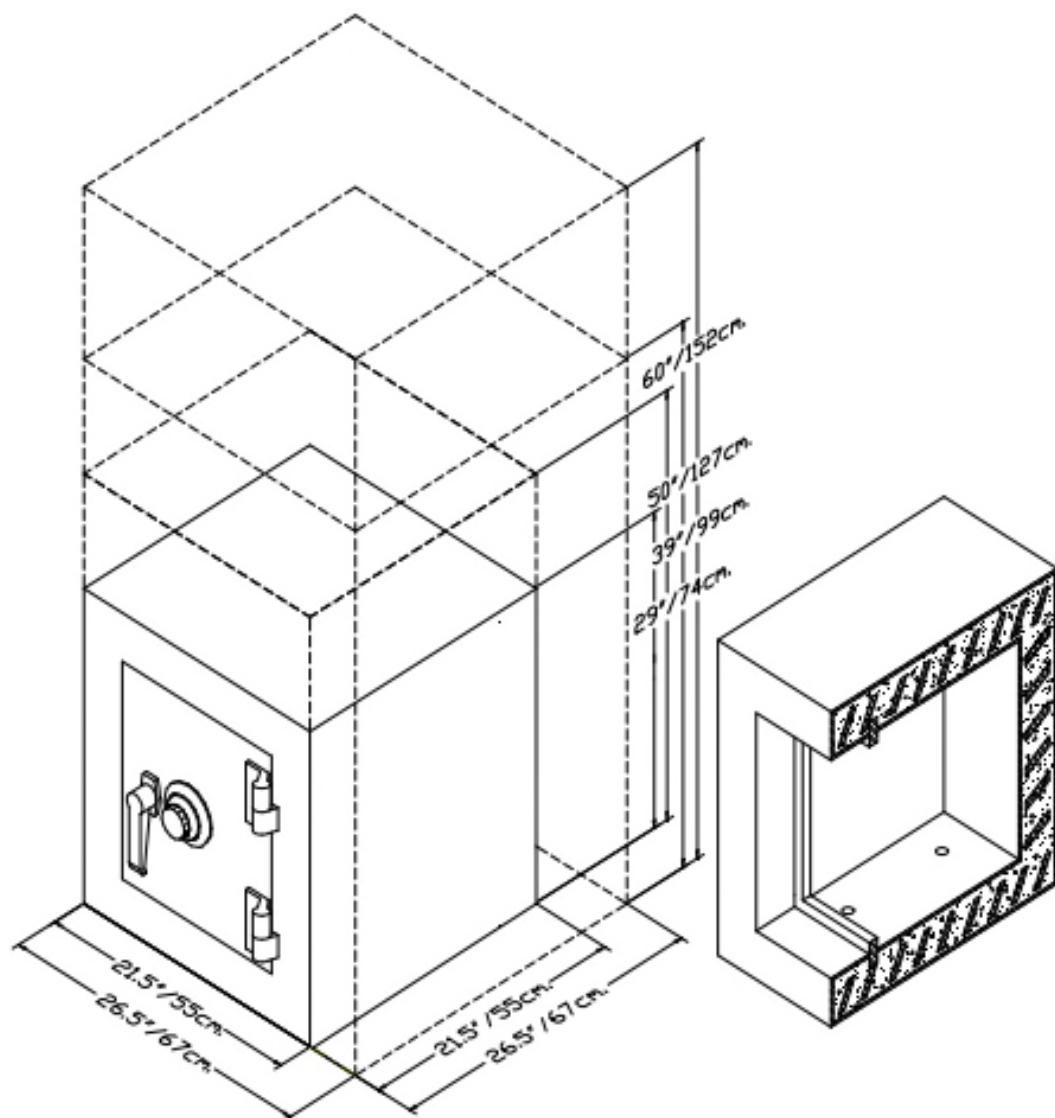
### General information

- Allows a level of protection against fire and burglary according to the classification.
- Construction: Steel envelope, exterior and interior 1/8", 0.32 cm thick. Armor cement (Interior of envelope): 3" / 7.6 cm thick.
- One (1) alarm hole in back unit.
- Lock system is a bolt works 1" / 2.54 cm : mobile system (2 bolts) on side of lock, fixed system on the other side of the door.
- Two (2) mounting holes on bottom of unit.
- Water resistant paint.
- Color: dark gray.
- Independent relocking system with glass plate.
- Exterior heavy-duty hinges.

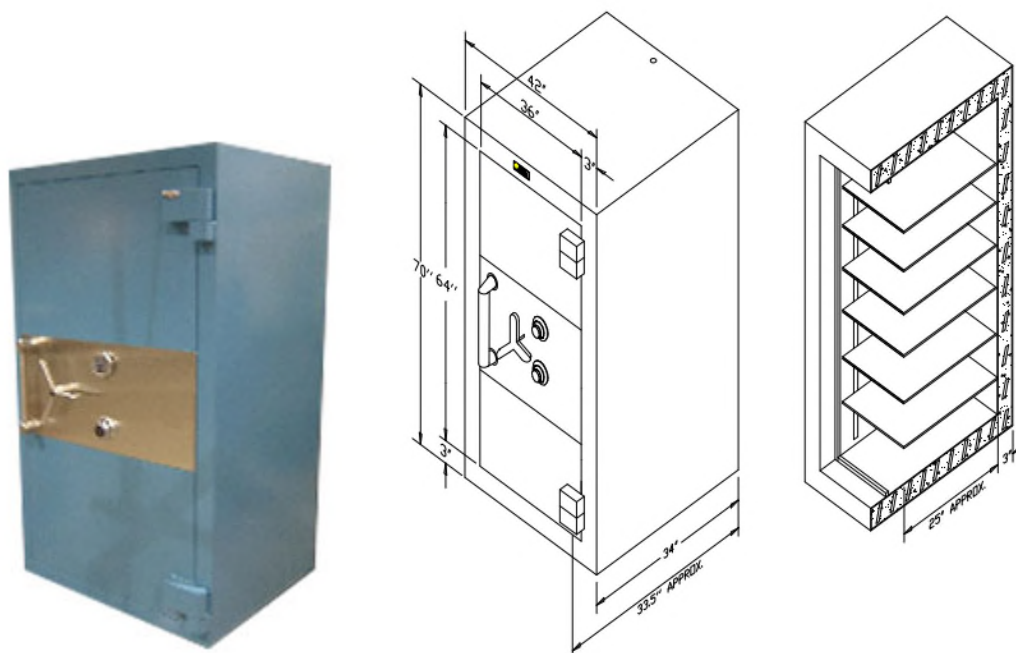
### Optional locks

- Mechanical opening delay lock with Medeco key
- Digital delay combination lock Millennium
- Digital safe logic basic Securam

MODÈLE	Dimensions extérieures (po, cm)			Dimensions intérieures (po, cm)			Nombre Boltwork	Poids lbs/kg	Tablette n°
	n°	H	L	P	H	L			
563	29 - 74	21 1/2 - 55	21 1/2 - 55	23 - 58	15 1/2 - 39	13 1/2 - 34	4	900/410	1
564	39 - 99	26 1/2 - 67	26 1/2 - 67	33 - 84	22 1/2 - 57	18 1/2 - 47	4	1500/680	2
565	50 - 127	26 1/2 - 67	26 1/2 - 67	44 - 112	22 1/2 - 57	18 1/2 - 47	5	1800/820	3
566	60 - 152	26 1/2 - 67	26 1/2 - 67	54 - 137	22 1/2 - 57	18 1/2 - 47	5	2150/975	4







## Fire and theft safe model LS663 to LS666

### General information

- Allows a level of protection against fire and burglary according to the classification.
- Fire: insulated to withstand 927°C, 1700°F for 1 hour.
- Construction: Steel envelope, exterior and interior 1/4", 0.64 cm thick. Armor cement (Interior of envelope): 3" / 7.62 cm thick.
- One (1) alarm hole in back unit.
- Lock system is a bolt works 1.5" / 38.1 cm : mobile system (2 bolts) on side of lock, fixed system on the other side of the door.
- Two (2) mounting holes on bottom of unit.
- Water resistant paint.
- Color: dark gray.
- Independent relocking system with glass plate.
- Exterior heavy-duty hinges.

### Optional locks

- Mechanical opening delay lock with Medeco key
- Digital delay combination lock Millennium
- Digital safe logic basic Securam

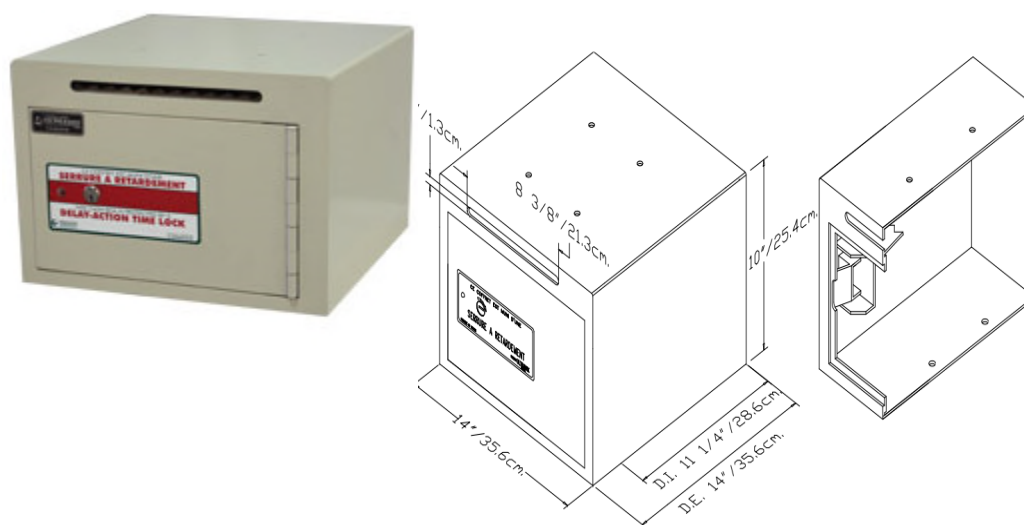


MODÈLE	Dimensions extérieures (po, cm)			Dimensions intérieures (po, cm)			Nombre Boltwork	Poids lbs/kg	Tablette
	n°	H	L	P	H	L			
663	29 - 74	21 1/2 - 55	21 1/2 - 55	23 - 58	15 1/2 - 39	13 1/2 - 34	4	975/410	1
664	39 - 99	26 1/2 - 67	26 1/2 - 67	33 - 84	22 1/2 - 57	18 1/2 - 47	4	1600/680	2
665	50 - 127	26 1/2 - 67	26 1/2 - 67	44 - 112	22 1/2 - 57	18 1/2 - 47	5	1900/820	3
666	60 - 152	26 1/2 - 67	26 1/2 - 67	54 - 137	22 1/2 - 57	18 1/2 - 47	5	2300/975	4



Authorize Dealer  
 Lockhart's Security  
 1 (506) 856-5016

## Anti-holdup safes



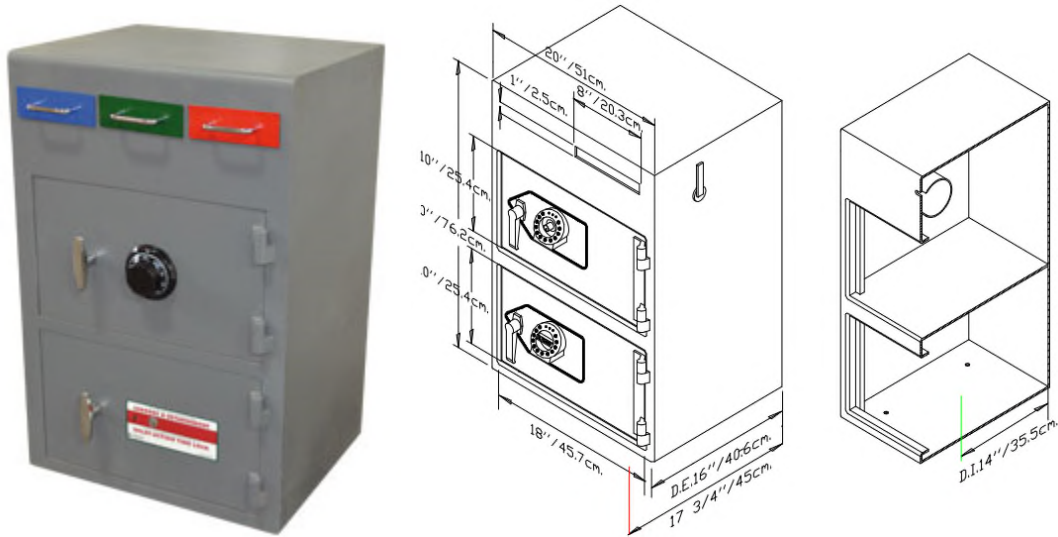
## Anti-holdup safe model LS221 under counter

### General information

- Steel: Body and door: 11 GA (1/8", 0.3 cm).
- Weight: environ 40 lbs / 19 kg.
- Four (4) installation holes on top and bottom of the unit.
- Dry paint, resistant against rust and scratches.
- Color: beige.
- Deposit slot equip with a fish-proof system.
- Door hinges "piano" type.

### Optional locks

- #221-Delay: Mechanical opening delay lock with Medeco key.
- #221-Without delay: Mechanical lock with Medeco key.
- #221-Comb: Mechanical combination lock S&G.
- #221-Ulix: Digital delay combination lock Millennium.
- Digital Safe Lock by SECURAM



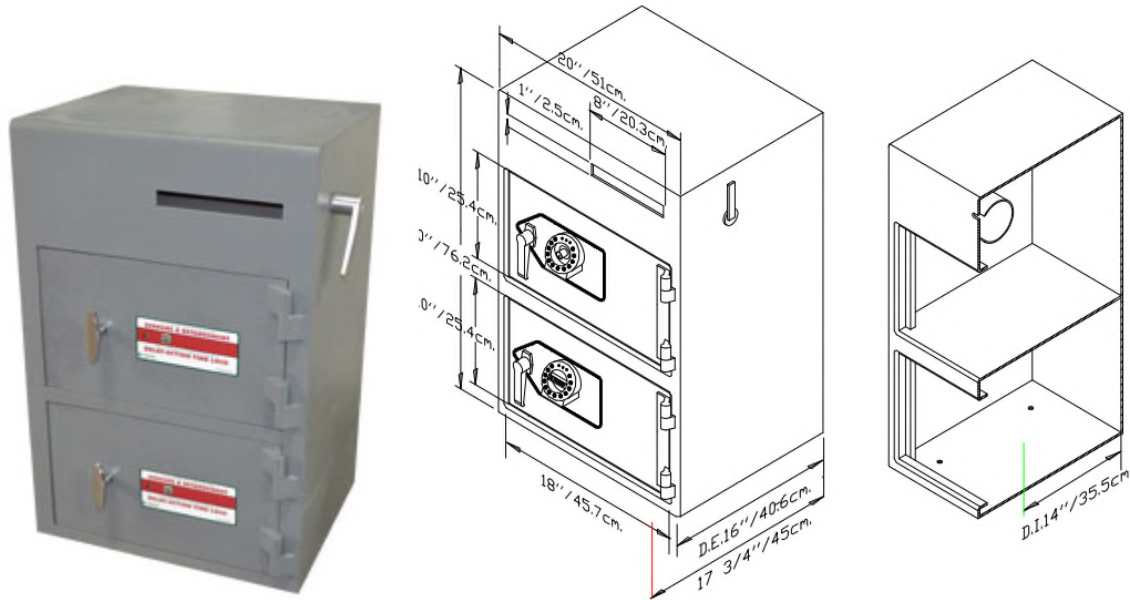
## Anti-holdup safe model LS251

### General information

- Steel: Body: 1/4", 0.64cm / door: 1/2", 1.3cm.
- Weight: environ 250 lbs / 114 kg.
- Lock system is two (2) Bolt works 1" / 2.54 cm on each door.
- Four (4) mounting holes on the bottom of the unit.
- Water resistant paint.
- Color: dark grey.
- Deposit slot is replaced by three (3) drawers: green, red, and blue.
- Three (3) removable baskets (same colour as the drawers) are placed in the top compartment to receive the deposit of each drawer.
- The safe is equipped with two (2) doors of the same dimensions.

### Optional locks

- #251-Delay: Two mechanical opening delay locks Medeco key.
- #251-Comb: Two mechanical combination locks S&G.
- #251-Ulix: Two digital delay combination locks Millennium
- Digital Safe Lock by SECURAM



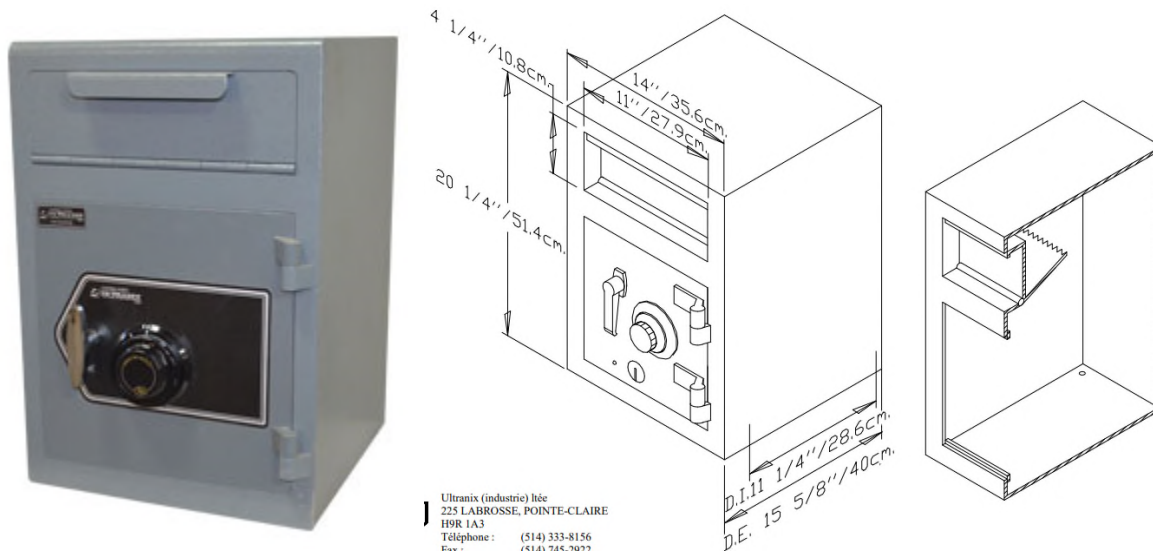
## Anti-holdup safe model LS261

### General information

- Steel: Body: 1/4", 0.64cm / door: 1/2", 1.3cm.
- Weight: environ 250 lbs / 114 kg.
- Lock system is two (2) Bolt works 1" / 2.54 cm on each door.
- Four (4) mounting holes on the bottom of the unit
- Water resistant paint.
- Color: dark grey.
- Deposit slot made to drop rolls of coins.
- Two exterior hinges 3/4" / 2 cm appear outside each door.
- The safe is equipped with two (2) doors of the same dimensions.

### Optional locks

- 261-Delay: Two mechanical opening delay locks, Medeco key.
- 261-Comb: Two mechanical combination locks S&G.
- 261-Ulix: Two digital delay combination locks Millennium.
- Digital Safe Lock by SECURAM



## Anti-holdup safe model LS362

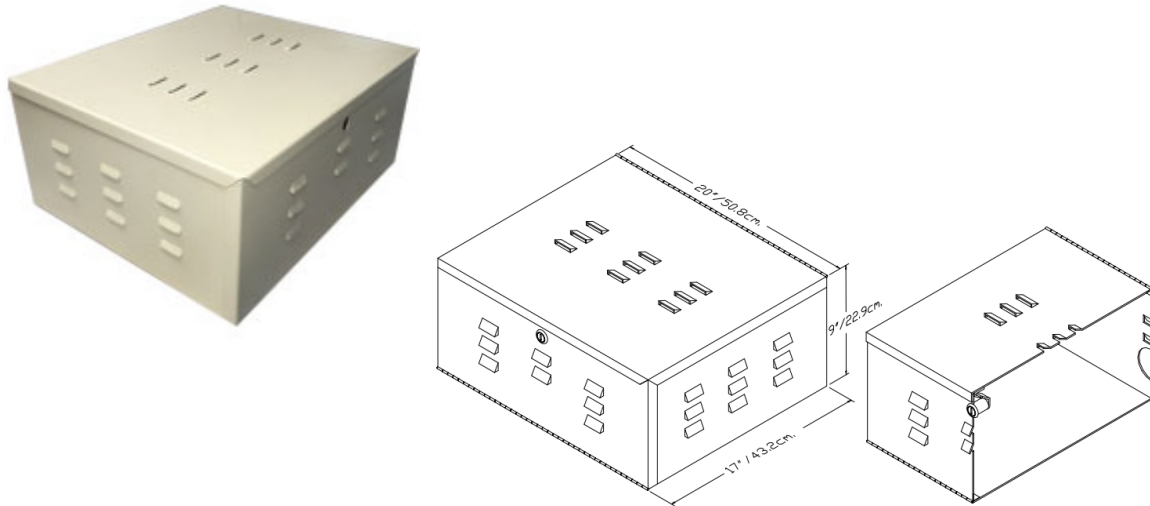
### General information

- Steel: Body: 1/4", 0.64cm / door: 1/2", 1.3cm.
- Weight: environ 130 lbs / 60 kg.
- Lock system is two (2) Bolt works 1" / 2.54 cm. on door.
- Four (4) mounting holes on the bottom of the unit
- Water resistant paint.
- Color: dark grey.
- Deposit slot is a mail box equip with a fish-proof system.
- Two (2) different locks equip the door.
- Two (2) exterior hinges of 3/4" / 2 cm appear on door.

### Optional locks

- #362-Comb: Mechanical opening delay lock with Medeco key and mechanical combination lock S&G.
- #362-Ulix: Mechanical opening delay lock with Medeco key and digital delay combination lock Millennium.
- Digital Safe Lock by SECURAM

## Security compartment for video recorder model LS321



### General information

- Steel: 16 GA (1/16" / 0.15cm).
- Holes on every side to allow good ventilation.
- Color: beige.
- Four (4) mounting holes on the base.
- Lock: Cam lock Abloy #327

# Gardex Fire safes



## Fire safe model LSGX-1 to LSGX-5

### General information

- Limited 1 year warranty against any defect of mechanical construction and a full replacement warranty of 12 years against any damage to the safe, caused by fire.
- Made of satin like steel and is rust-proof.
- Adjustable shelf on most models.
- Fire-proof only. Not burglar-proof.
- Wheel based.
- Colour: Beige or black.
- Officially confirmed by U.L.I. and U.L.C., 1700°F 927°C, 1 hour against fire, inside temperature 177°C (350°F).
- S&G - mechanical combination lock
- **Optional locks**
- Digital delay combination lock Millennium

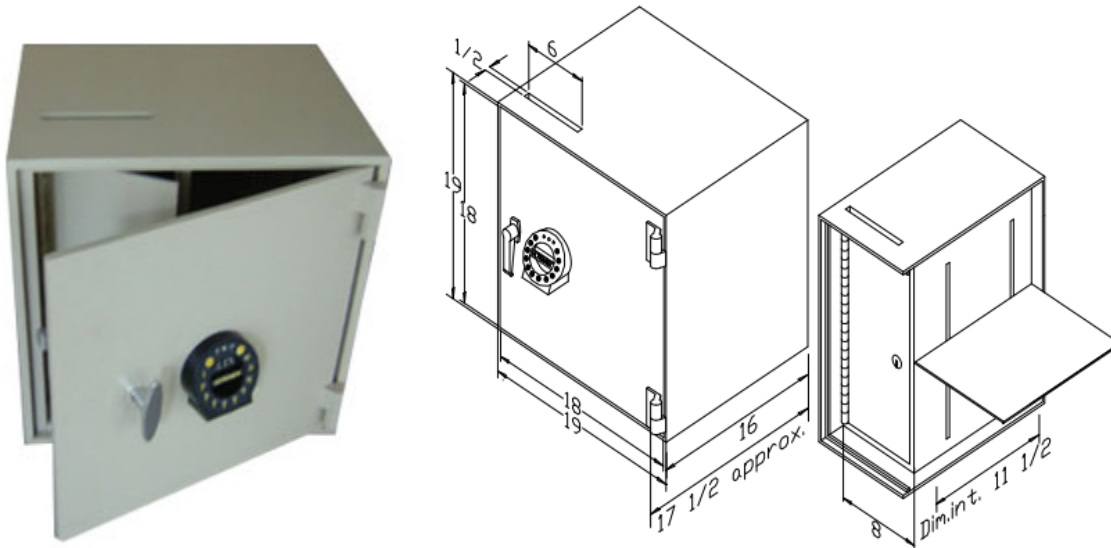
### Digital Safe Lock by SECURAM

MODÈLE	Dimensions extérieurs (po, cm)			Dimensions intérieurs (po, cm)			Poids
	n°	H	L	P	H	L	P
GX-1	24 - 61	18 1/2 - 47	18 1/2 - 47	17 1/2 - 44	15 1/2 - 39	13 1/2 - 34	175/80
GX-2	29 - 74	21 1/2 - 54	21 1/2 - 54	22 3/8 - 57	18 1/2 - 47	16 3/8 - 41	250/113
GX-3	39 - 99	26 1/2 - 67	26 1/2 - 67	32 1/4 - 82	23 1/2 - 60	21 3/8 - 54	455/207
GX-4	50 - 127	26 1/2 - 67	26 1/2 - 67	42 1/4 - 107	23 1/2 - 60	21 3/8 - 54	575/261
GX-5	60 - 152	26 1/2 - 67	26 1/2 - 67	50 - 127	20 - 51	20 - 51	910/412



# Burglary safes

- Burglary proof safe. Not fire resistant.



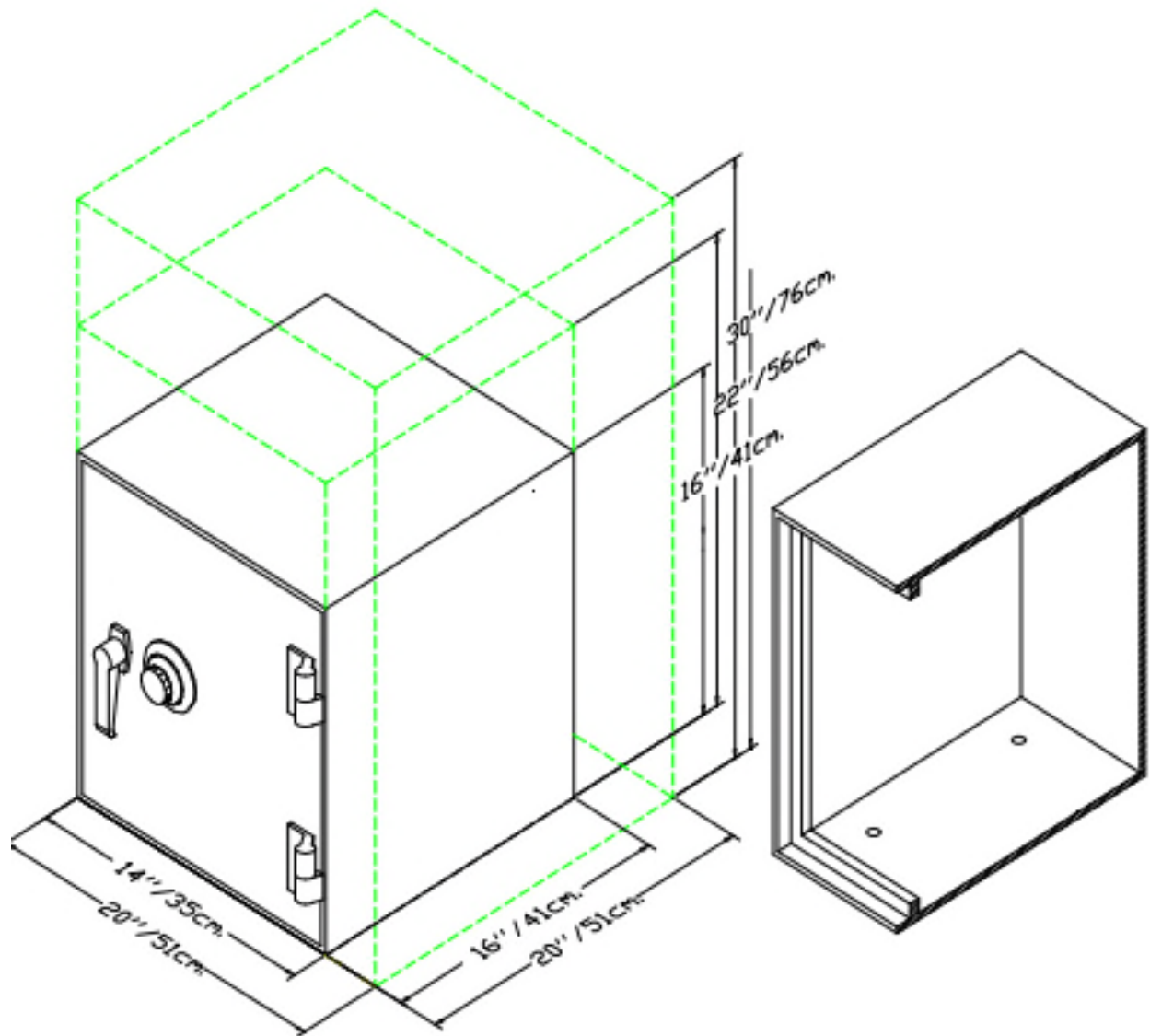
## Burglary safe model LSMX

### General information

Burglary proof safe.

- Not fire resistant.
- Rust proof paint.
- Construction Steel, Class TL15.
- Body: 1/2", 1.30 cm thick.
- Door: 1/2", 1.30 cm thick.
- Two (2) bolt works of 1", 2.54 cm.
- Four (4) fixation holes on the bottom of safe.
- Color: beige.
- Lock model #CS-502, with Medeco key on the inside door
- **Optional locks**
- #MX: Mechanical opening delay lock with Medeco key
- #MX-Comb: S&G combination lock.
- #MX-Ulix: Digital delay combination lock Millennium.

## Burglary safe model LS501 to LS503



### General information

- Allows a level of protection against burglary according to the classification.
- No classification against fire.
- Four (4) mounting holes on the bottom of the safe, allows anchoring to floor.
- Metal plate underneath the lock makes it drilling resistant, and a double lock 'relocking' system.

- Water resistant paint.
- Solid steel construction.
- Body: 1/4", 0.60 cm thick.
- Door: 1/2", 1.30 cm thick.
- Lock system is two (2) bolt works of 1", 2.54 cm.
- Classification: class B, certified by the manufacturer.

## Options

- Deposit slot reduces protection against burglary.
- Removable handle to push deposit.

## Optional locks

- Mechanical opening delay lock with Medeco key
- Digital delay combination lock Millennium.

MODÈLE	Dimensions extérieures (po, cm)			Dimensions intérieures (po, cm)			Poids
	n°	H	L	P	H	L	P
501	26 - 41	14 - 35	16 - 41	15 1/2 - 39	11 - 28	15 1/2 - 39	180/82
502	22 - 56	20 - 51	20 - 51	21 1/2 - 55	19 - 50	17 - 43	220/100
503	30 - 76	20 - 51	20 - 51	29 1/2 - 75	19 - 50	17 - 43	280/127

MODÈLE	Dimensions extérieures (po, cm)			Dimensions intérieures (po, cm)			Poids
	n°	H	L	P	H	L	P
510	16 - 41	16 - 41	16 - 41	15 1/2 - 39	15 1/2 - 39	15 1/2 - 39	280/127
511	22 - 56	20 - 51	20 - 51	21 - 53	19 - 48	16 - 42	410/186
512	30 - 76	20 - 51	20 - 51	29 - 74	19 - 48	16 - 42	520/236

MODÈLE	Dimensions extérieures (po, cm)			Dimensions intérieures (po, cm)			Poids
	n°	H	L	P	H	L	P
520	16 - 41	16 - 41	16 - 41	15 - 38	15 - 38	13 - 33	385/175
521	22 - 56	20 - 51	20 - 51	20 - 51	18 - 46	15 1/2 - 39	600/272
522	30 - 76	20 - 51	20 - 51	28 - 71	18 - 46	15 1/2 - 39	855/388



## Fire safe model LSGF200 to LSGF400

### General information

- Limited 1 year warranty against any defect of mechanical construction and a full replacement warranty of 12 years against any damage to the safe, caused by fire.
- Made of satin like steel and is rust-proof.
- Adjustable shelf on most models.
- Fire-proof only. Not burglar-proof.
- Lock: Push lock.
- No access to a closed drawer by an open one.
- Each drawer equipped with Penda Flex suspension system.
- Base without wheels

### Drawers

- 200 series= 2 vertical drawers.
- 300 series= 3 vertical drawers.
- 400 series = 4 vertical drawers.

MODÈLE	Dimensions extérieurs (po, cm)			Dimensions intérieurs (po, cm)			Poids
	n°	H	L	P	H	L	P
GF-200	28 - 71	19 3/4 - 50	31 - 78	10 1/2 - 27	15 - 38	26 - 66	360/164
GF-300	41 - 104	19 3/4 - 50	31 - 78	10 1/2 - 27	15 - 38	26 - 66	490/223
GF-400	54 - 137	19 3/4 - 50	31 - 78	10 1/2 - 27	15 - 38	26 - 66	640/291

# Locks and accessories



## Locks model 311-01

### General information

- Cam lock: Ilco Unican.
- Total length: 1/2" (3.8cm).
- Diameter: 3/4" (1.9cm).
- Two (2) keys per lock included.



## Locks model 3273

### General information

- Cam lock: Abloy.
- Total length: 1" (2.5cm).
- Diameter: 3/4" (1.9cm).
- Two (2) keys per lock included.
- Control key way.
- Lock can be assembled on the same master key.



## Locks model 3462

### General information

- Cabinet type lock: Abloy.
- Total length: 1 3/8" (3.5cm).
- Diameter: 7/8" (2.2cm).
- Body: 1 1/2" (3.8cm) x 2 1/2" (6.4cm).
- Two (2) keys per lock included.
- Control key way.
- Lock can be assembled on the same master key.



shutterstock.com • 219339670

## Locks model CS-401

### General information

- Very compact mechanical lock.
- Starting the delay: Medeco key or knob.
- Can be used on all type of safes.
- Uses the same mounting holes as the mechanical combination lock.
- The lock's movement is shock-proof.
- Mounting holes: 2.63" / 6.7 cm. x 1.63" / 4.1 cm. or 3.5" / 8.9 cm. x 1.63" / 4.1 cm.
- Standard cylinder length: 1/2" / 1.27 cm. to 1.5" / 3.8 cm. On special request for a small additional cost standard cylinder length of 1.5" / 3.8 cm and more are available.
- The time delay and the opening period are programmable and reprogrammable.
- Standard cylinder: Medeco 3 pins, 00 keyway, 2 keys per cylinder. On special request the Medeco bi-axial cylinder is also available.
- The lock's mounting bolts are supplied.
- Installation RH, LH, VU, VD: switch screw from position to another on the timer plate allows to use it in all those positions.
- Standard latch is a spring bolt type.
- The locks have their own different key number. With a small additional cost the locks on the same key (K.A.), on master key or on controlled key system are also available.
- Only one opening per operation cycle.
- The lock automatically relocks, by itself when you close it.
- The programming of the time delay and the opening period is done by a simple screw replacement on the timer's cam.





## Locks model CS-401 and its derivatives

### General information

- Programming of the standard time delay: 1 - 3 - 5 - 10 - 15 min
- Programming of the non-standard time delay: 2 - 6 - 10 - 20 - 30 min
- Programming of the non-standard time delay optional: 4 - 12 - 20 - 40 - 60 min
- Programming of the standard opening periods: 1 - 2 - 5 min
- Programming of the non-standard opening periods: 2 - 4 - 10 min
- Programming of the non-standard opening periods optional: 4 - 8 - 20 min
- Time precision: plus/minus 15 seconds for a delay of 15 min.
- Lock's movement life cycle: more than 10,000 openings.
- Lock's cylinder diameter: 3/4" (1.9 cm).
- Weight: 1.9 lbs (0.86 kg) mounted with a 1/2"/ 1.3 cm cylinder length.

### Options

- 1 switch: Visual or audible indication of open period.
- 2 switches:
  - The first switch allows to indicate in a visual way or by a sound the opening period.
  - Second switch allows to:
    - Relate the lock to an alarm system
    - Indicates the beginning of the time delay.

### CS-401 NO LOG

- Lock size adapts to combination lock Ex. : LA Gard, S&G.
- Ideal for small door or tight space.

- Same characteristic of the C.S.-401 except the dimensions

### CS-401-101-1S

- A special adaptor on the "CS-401" allows to replace without any modifications the lock manufactured by "John Tann" company.

### CS-401-SC10-1S

- A black plastic ring to adjust the cylinder to the size of the hole on "CS 101" cylinder is supplied with the lock.

### Options

- Lock on key alike (per lock).
- Medeco Master key (keyway 00).
- Control keyway cylinder.
- Independent relocking system fixed on the timer of the lock.
- C.S.401 'By-pass' (direct access) : A second Medeco cylinder on the lock allows the by-pass of the time delay.
- CS-401 'By-pass-control' (direct control access) : Third Medeco cylinder added to a by-pass lock makes two different keys needed to have a direct opening access.
- CS-401 'Dual custody' (double control) : Second Medeco cylinder on the lock blocking at all times the safe opening.
- CS-401 'Dual control' : Second Medeco cylinder on the lock makes it necessary to have two keys to open the lock.
- Conversion of the latch from a spring latch to a dead bolt.
- Conversion of the latch from a spring latch to a square bolt.
- Medeco cylinder with a knob the key starts the time delay and the knob opens the lock after the time delay.

## Replacement parts

- Movement or straight cover.
- Balanced movement, movement mounting plate and cam: 15 to 5 min, 30 to 10 min or 60 to 20 min.
- Lock body without switch, with 1 switch or with 2 switches.
- Latch.
- Lever.
- Lock cover.
- Knob assembly.
- Knob only.
- Large or small plastic collar.
- Medeco key cut: '00' or '8L'.
- Cylinder assembly (2 keys): '00' or '8L'.
- Lock's mounting screws on the door (1/4" x 1").
- Timer's mounting screws on the lock (6/32" x 5/8").



## Locks model CS-502 and CS-503

### General information

- Cabinet type lock.
- Body: 2" (5.08cm) x 2" (5.8cm) x 1" (2.54cm) thick.
- Cylinder Medeco: diameter 3/4" (1.9cm).
- Length of standard cylinder: 1/2" (1.27cm) to 1 1/2" (3.8cm)
- Two (2) keys per lock included.

## Options

- Two (2) key position cylinder:
  - First key position slam bolt lock.
  - Second key position, dead bolt lock.
- Medeco regular key.
- Medeco control key.

## Optional locks

- #CS-502: Square bolt type latch.
- #CS-503: Slam bolt type latch.



# Mechanical lock model Sargent & Greenleaf

## General information

- Mechanical combination lock group 2 with three opening code #6730-009.
- Torque adjuster to adjust the wheels.
- Can be used on any safe door.

- Same mounting holes as mechanical time delay lock.
- Mounting holes: 2.63" (6.7 cm) x 1.63" (4.1 cm).
- Screws for dial and lock are include.
- Four mounted ways: RH, LH, VU, or VD lock.
- Standard dial spindle length: 4" (10.16 cm).
- Minimum door hole: 3/8" (0.95 cm).
- Opening time can be programme to: 1 to 9 min.
- Minimum door hole: 3/8" (0.95 cm).
- Weight: 2.2 lbs (1 kg).
- Open face type dial (spindle length 3.75" / 9.525)
- Open face with locking dial.
- Spy proof dial.

### Replacement parts

- Dial only (type open face).
- Locking dial only (type open face).
- Ring only (type open face).
- Dial only (type spy proof).
- Ring only (type spy proof).
- Lock #6730-009 body assembly only.
- Handle.

### Option

- Additional length for spindle: 8.5" / 21.59 cm.



## Digital lock model ULIX 1, 2 & 4

### General information

- Compact size locks and dials.
- Can be used on any safe door.
- Uses the same mounting holes as mechanical or digital lock.
- Mounting holes: 2.63" (6.7 cm) x 1.63" (4.1 cm).
- Time delay and opening period is programmable.
- Mounting screws for lock and dial are included.
- Four installation positions are available: RH, LH. VU OU VD.
- Only one opening per operation cycle.
- Time delay can be programme to: 1 to 99 min.
- Opening time can be programme to: 1 to 9 min.
- Extra low battery consumption: more than 40 000 opening.
- Hole in safe door must be: 3/8" (0.95 cm).
- Weight: 3.2 lbs (1.65 kg).

### Variant of the model

- ULIX-1: Manual retraction and automatic extension of the lock bolt 'dead bolt'.
- ULIX-2: Manual retraction and manual extension of the lock bolt 'dead bolt'.
- ULIX-4: Manual retraction and automatic extension of the lock bolt 'slam bolt'.

## Replacement parts

- Handle (knob).
- Handle (knob) sticker.
- Shaft.
- Holding pin.
- Protector tube for shaft.
- Batteries door and holder and two batteries (AA).
- Dial (include keypad, body, and circuit).
- Keypad (only).
- Circuit of dial.
- Dial body.
- Connection wire.
- Lock body assembly (include mounting screws):.
- Motor.
- Lock circuit.



## LED Kit

### General information

- Give a visual indication that the lock is in opening mode.
- Installation in the door.
- Powered by a 9-volt battery.
- Batterie not included.
- LED kit with buzzer optional.





## **Safe Logic Basic SECURAM**

The Safe Logic Basic is a very reliable and robust safe lock system ideal for most applications. The Safe Logic Basic features SECURAM's rugged stainless-steel construction.

This Entry Pad can be paired with any of the 4 SECURAM Lock Bodies: Swing Bolt, Dead Bolt, Spring Bolt and Strike Bolt. SECURAM Safe Locks are the industry leading Technol

## Our team designs the best safes for you

In our business, experience assures credibility. With us, your property and documents' security is in capable hands. That is why we offer products and equipment of the highest quality. We are a distributor of security products from the most internationally reputable brands. Combined with our unrivaled expertise, it's a winning recipe.



40 Year Reputation

Authorize Dealer

Lockhart's Security

1 (506) 856-5016